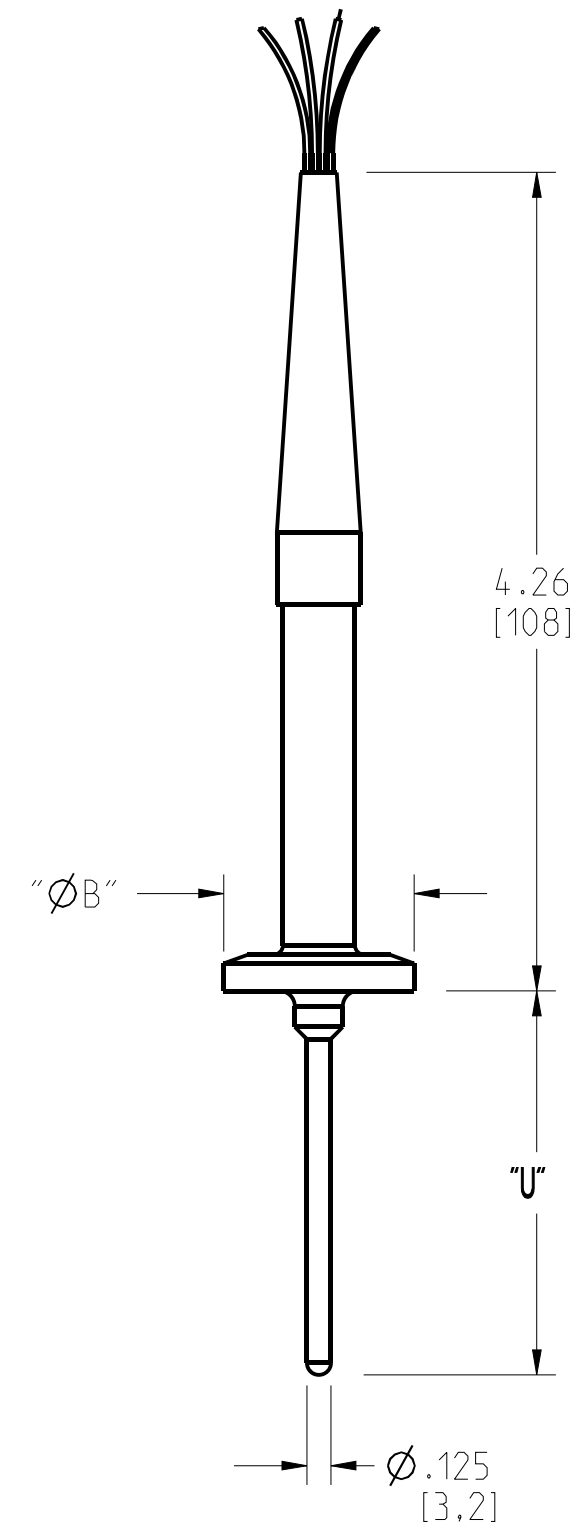


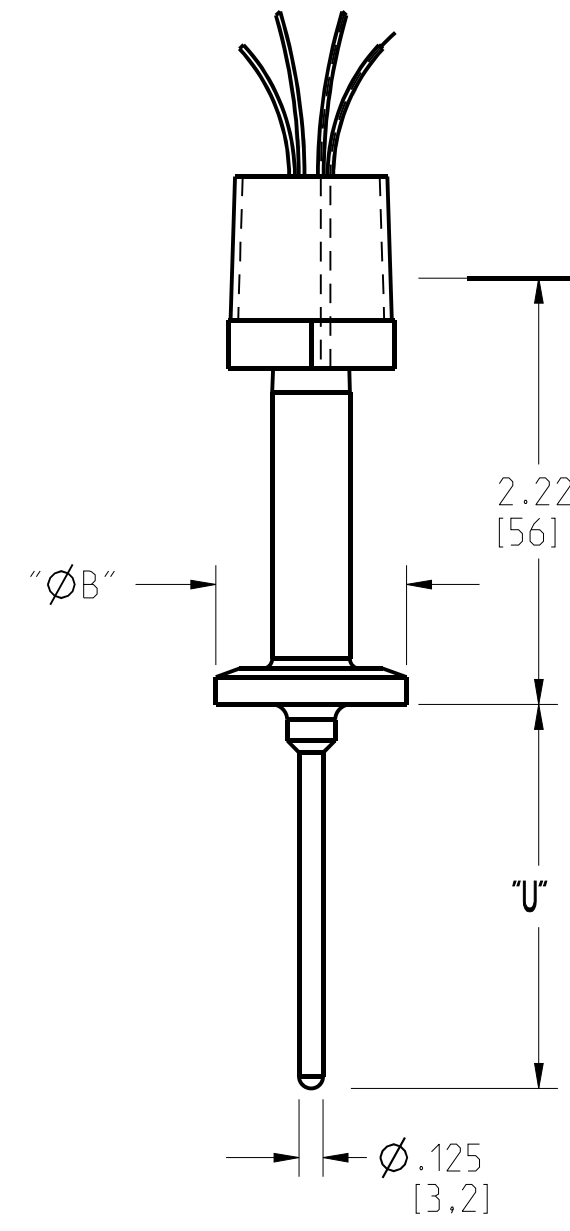
ROSEMOUNT 68Q TEMPERATURE SENSOR

| REVISION TABLE | | | |
|------------------|------------|-------|-----------|
| REVISION | ECO NO. | APP'D | DATE |
| AC | RTC1057263 | JR | 6/11/2013 |
| DESCRIPTION | | | |
| CONVERT TO PRO-E | | | |

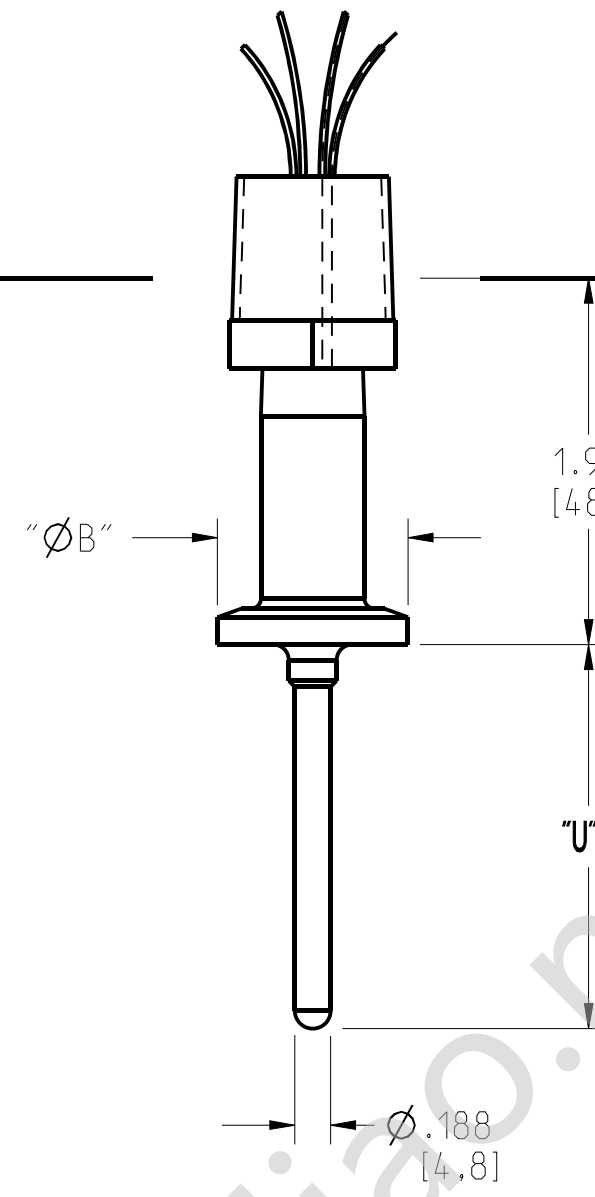
MINI GENERAL PURPOSE WITH CABLE AND STRAIN RELIEF



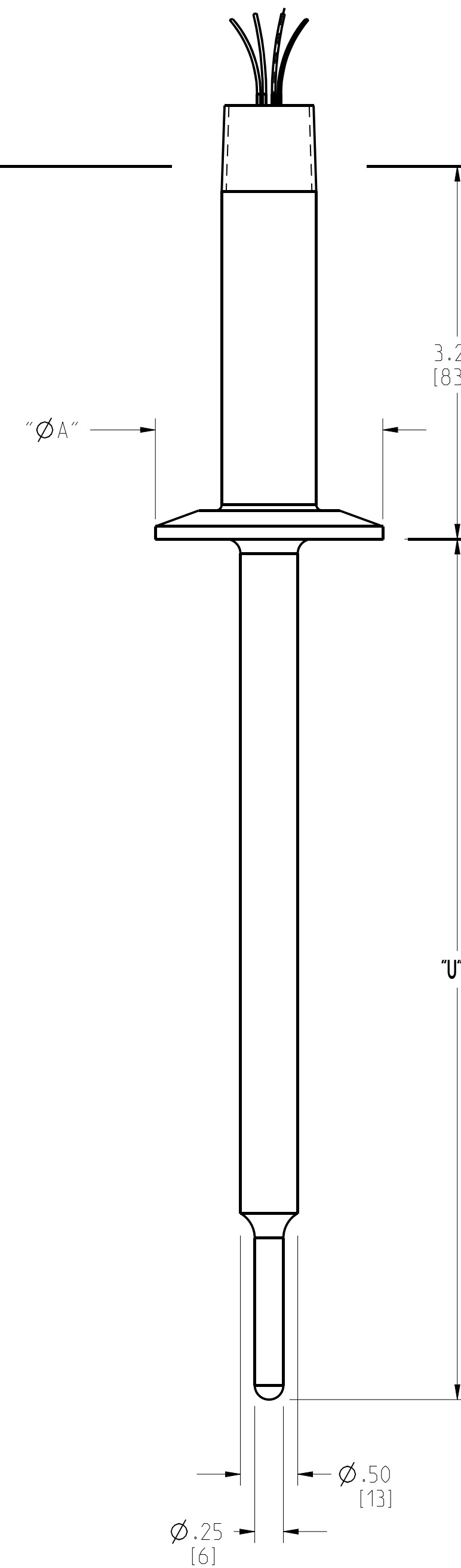
MINI GENERAL PURPOSE



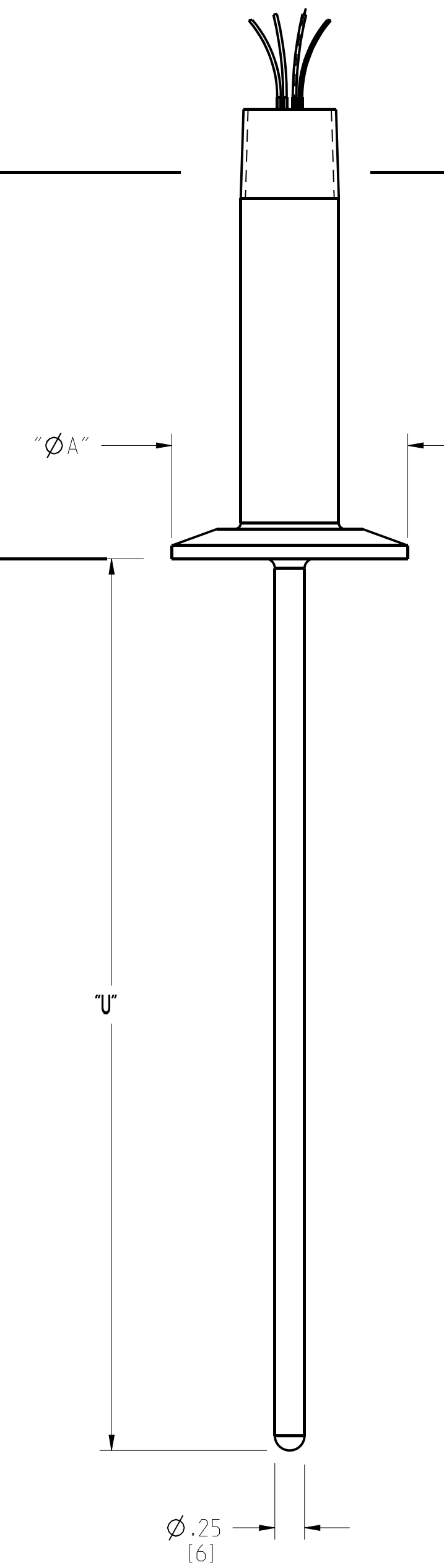
MINI SPRING LOADED WITH THERMOWELL AND REPLACEABLE SENSOR



SINGLE OR DUAL STEPPED STEM



SINGLE OR DUAL STRAIGHT STEM



BASELINE AA
(SEE SHEET 2)

| "U" LENGTH | |
|------------|----------|
| CODE | "U" |
| U010 | 1.00 in. |
| U011 | 1.10 in. |
| U012 | 1.20 in. |
| U013 | 1.25 in. |
| U014 | 1.40 in. |
| U015 | 1.50 in. |
| U016 | 1.60 in. |
| U017 | 1.70 in. |
| U018 | 1.80 in. |
| U019 | 1.90 in. |
| U020 | 2.00 in. |
| U025 | 2.50 in. |
| U030 | 3.00 in. |
| U035 | 3.50 in. |
| U040 | 4.00 in. |
| U045 | 4.50 in. |
| U050 | 5.00 in. |
| U055 | 5.50 in. |
| U060 | 6.00 in. |
| U065 | 6.50 in. |
| U070 | 7.00 in. |
| U075 | 7.50 in. |
| U080 | 8.00 in. |
| U085 | 8.50 in. |
| U090 | 9.00 in. |
| U095 | 9.50 in. |

| TRI-CLAMP ENDCAP DIA | | | |
|----------------------|-----------|-------|------|
| CODE | O.D TUBE | | "ØB" |
| L050 | 1/2"-3/4" | .99" | "ØB" |
| L100 | 1.00" | 1.98" | "ØB" |
| L150 | 1.50" | 1.98" | "ØB" |
| L200 | 2.00" | 2.52" | "ØA" |
| L250 | 2.50" | 3.05" | "ØA" |
| L300 | 3.00" | 3.58" | "ØA" |

2. .75 [19] CLEARANCE REQUIRED TO REMOVE COVERS.

1. ROSEMOUNT INC. CERTIFIES THESE DRAWINGS ARE IN ACCORDANCE WITH ROSEMOUNT ENGINEERING SPECIFICATIONS AND ACCURATELY REPRESENT THE EQUIPMENT FURNISHED.

NOTES:

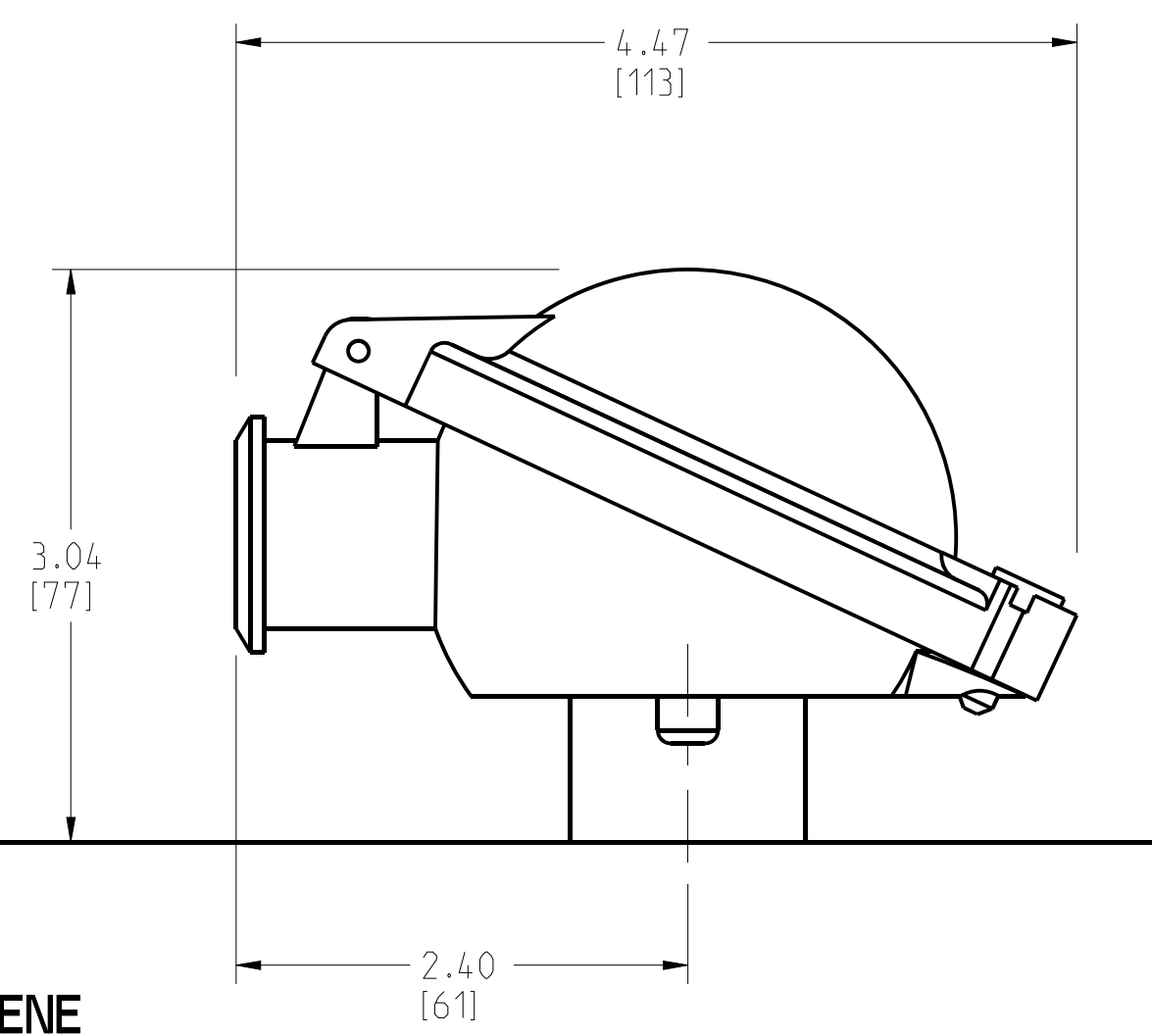
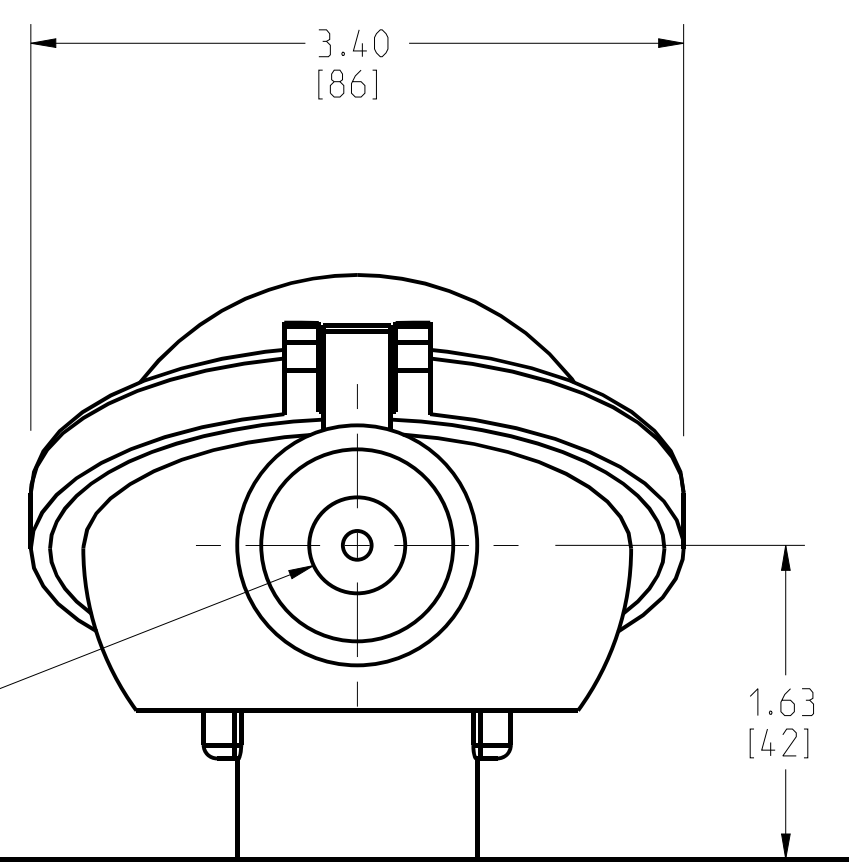
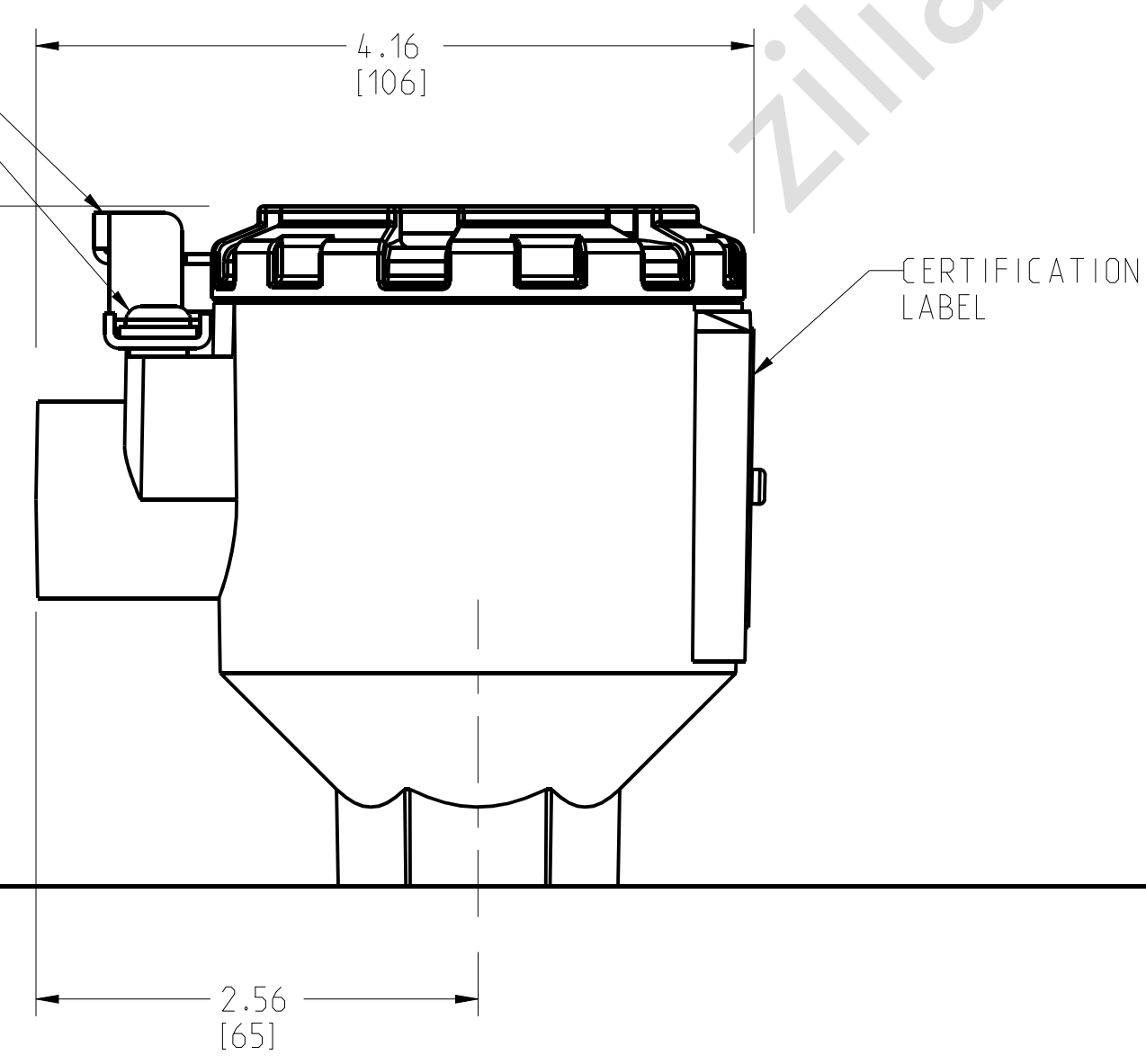
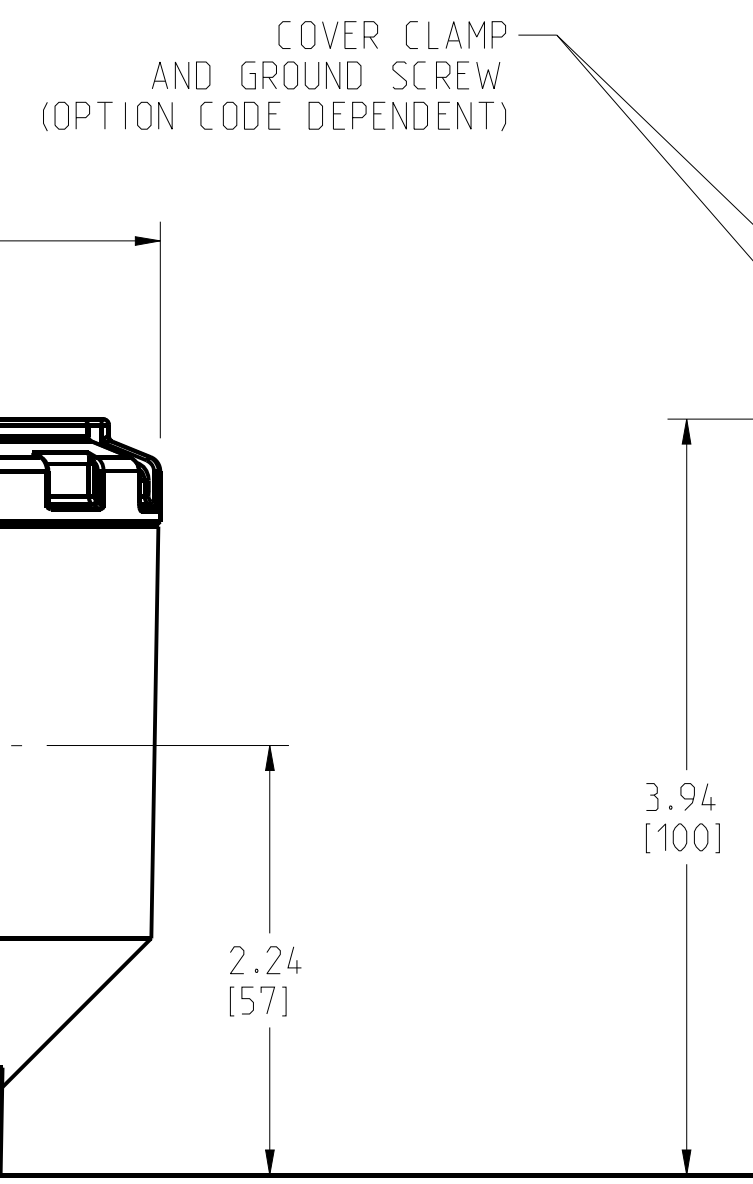
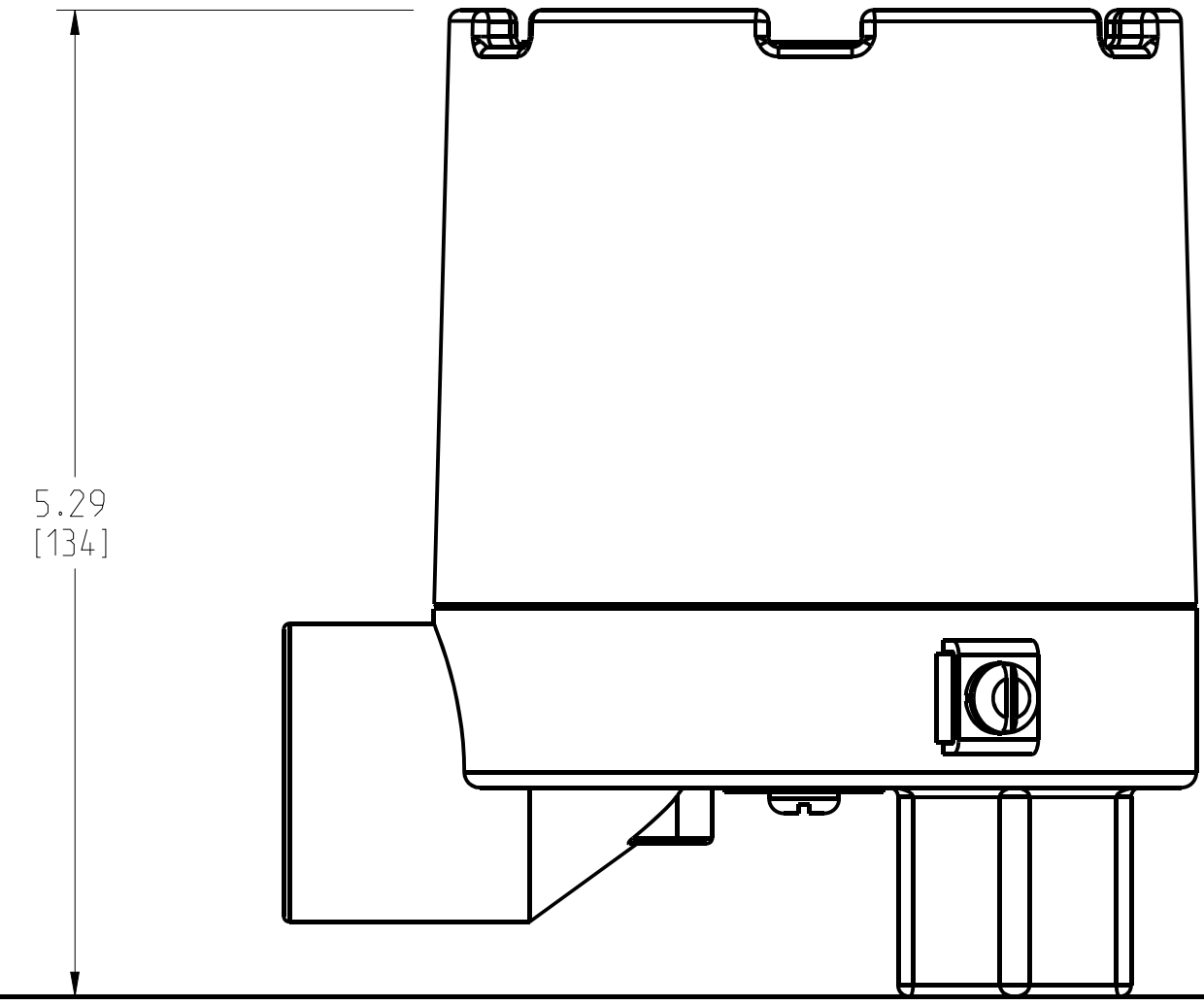
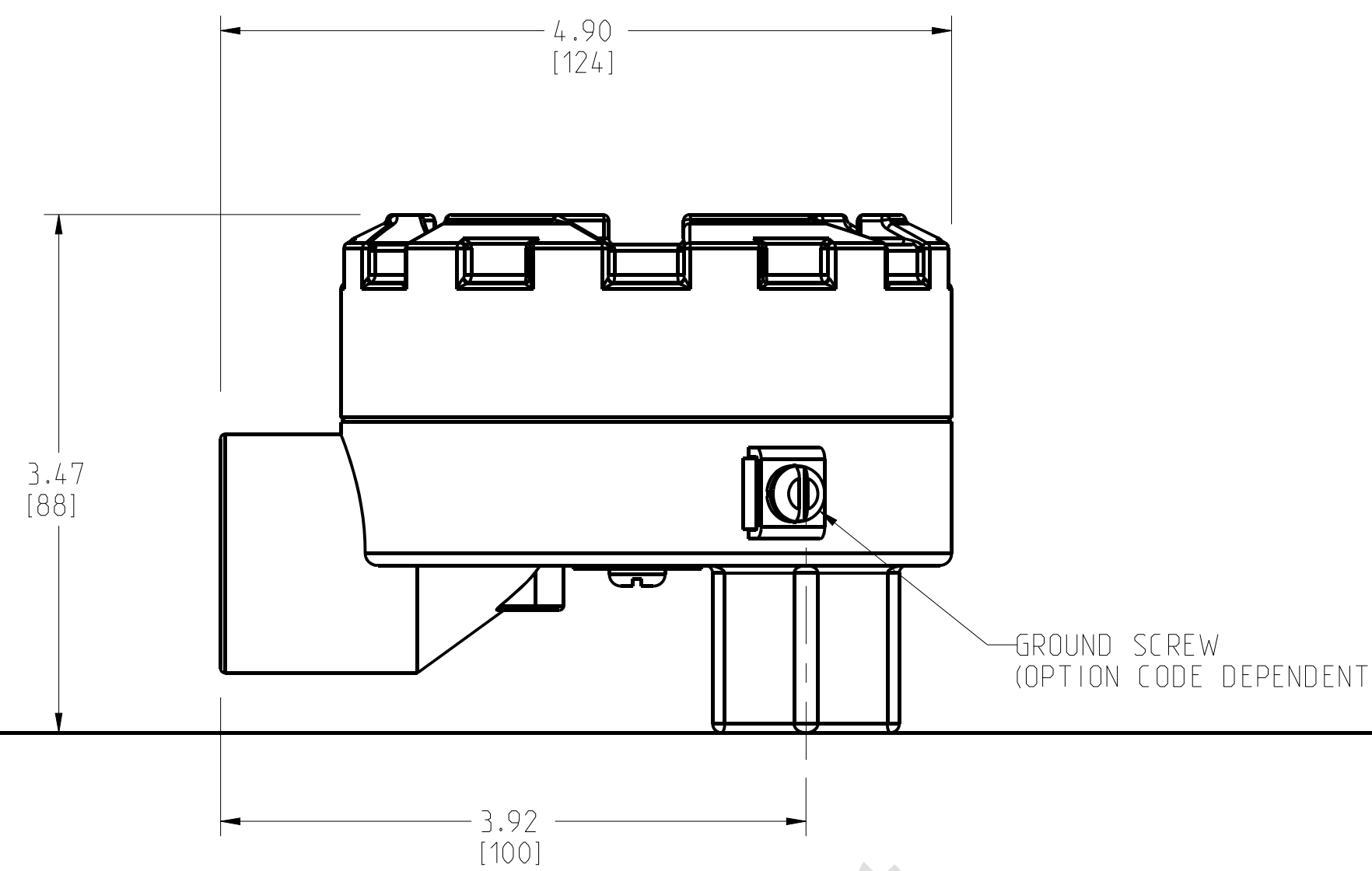
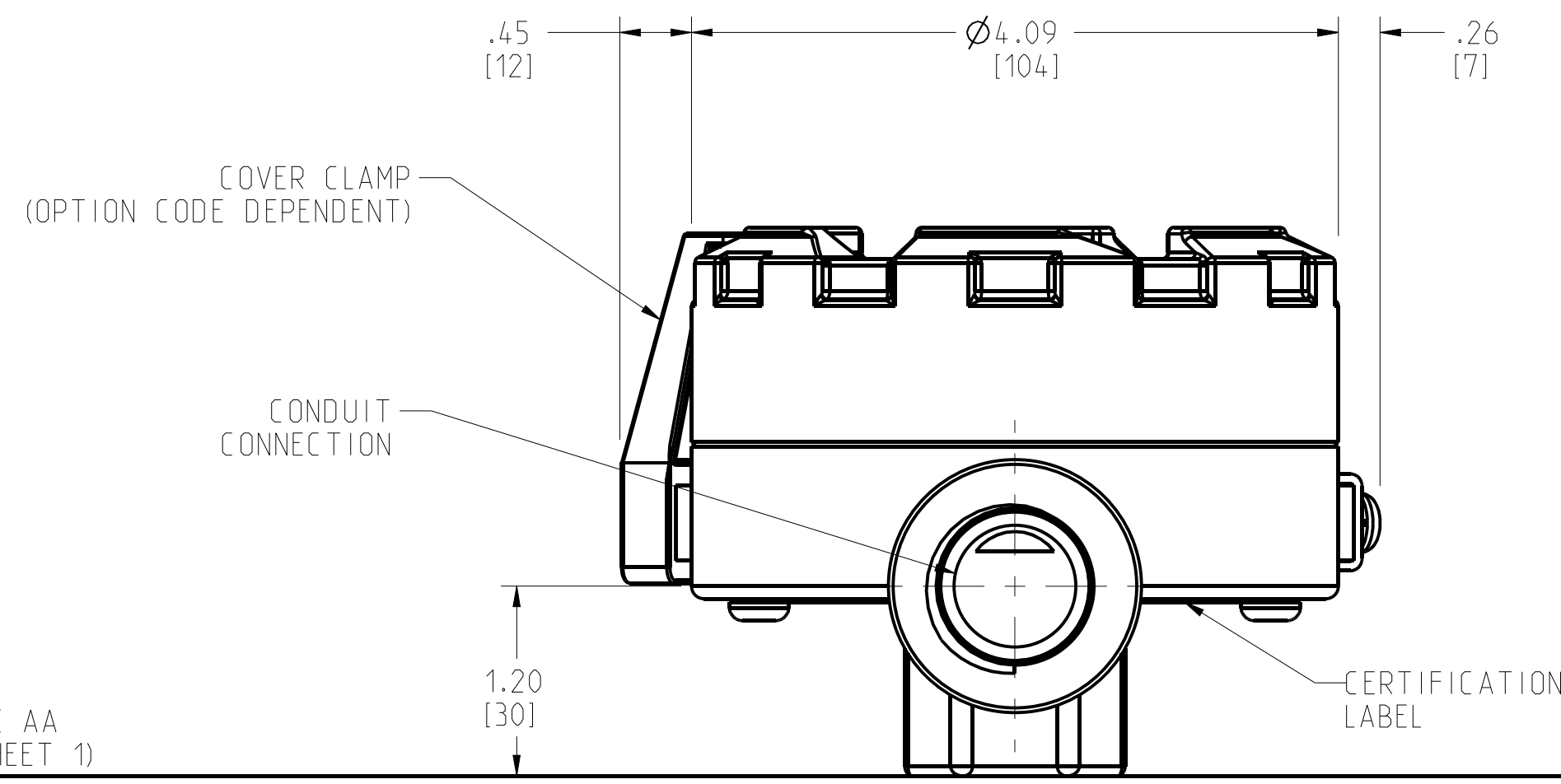
| | | | | | | |
|--|-------------------------|--------------|-----------------------|----------|-------------|--------------|
| <small>UNLESS OTHERWISE SPECIFIED CONVERSIONS AND DIMENSIONS CONTAINED HEREIN ARE IN INCHES AND DECIMALS THEREOF. AND MUST BE HANDLED ACCORDINGLY. EMERSON</small> | CUSTOMER | ... | 3RD ANGLE | SIZE | SCALE | REV |
| | CUSTOMER DWG NO. | ... | EMERSON | D | 1/1 | AC |
| | P.O. No. | ... | ROSEMOUNT | TITLE | | |
| | S.O. No. | ... | 68Q SANITARY PLATINUM | | | |
| PROJECT NAME | ... | DR. | JLA | 6/10/13 | DRAWING NO. | 00068-4005 |
| DO NOT SCALE PRINT | CAD MAINTAINED. (PRO/E) | PRODUCT CODE | ... | DOC TYPE | ... | SHEET 1 OF 2 |

DRAWING NO. 00068-4005 TAG NO. CAL.

ROSEMOUNT 68Q SERIES CONNECTION HEADS

ALUMINUM CONNECTION HEAD

ALUMINUM CONNECTION HEAD WITH EXTENDED COVER



ROSEMOUNT ALUMINUM OR SST

POLYPROPYLENE CONNECTION HEAD

BASELINE AA
(FROM SHEET 1)

BASELINE AA
(FROM SHEET 1)

| | | | | | | |
|--|------------------|-------------|--|------|-------|-----|
| <small>UNLESS OTHERWISE SPECIFIED CONNECTIONS AND DIMENSIONS SHOWN ARE FOR THE STANDARD CONFIGURATION. CUSTOMER MODIFICATIONS ARE NOT INTENDED FOR REFERENCE USE. REFERENCE DRAWING FOR ENGINEERING INFORMATION.</small> | CUSTOMER | ... | 3RD ANGLE | SIZE | SCALE | REV |
| | CUSTOMER DWG NO. | ... | | D | 1/1 | AC |
| | P.O. No. | ... | EMERSON Process Management ROSEMOUNT® | | | |
| | S.O. No. | ... | TITLE 68Q SANITARY PLATINUM | | | |
| PROJECT NAME | DR. JLA 6/10/13 | DRAWING NO. | | | | |
| APP'D JR 6/11/13 | ... | 00068-4005 | | | | |
| DO NOT SCALE PRINT CAD MAINTAINED. (PRO/E) PRODUCT CODE - DOC TYPE - SHEET 2 OF 2 | | | | | | |

DRAWING NO. 00068-4005 TAG NO. CAL.