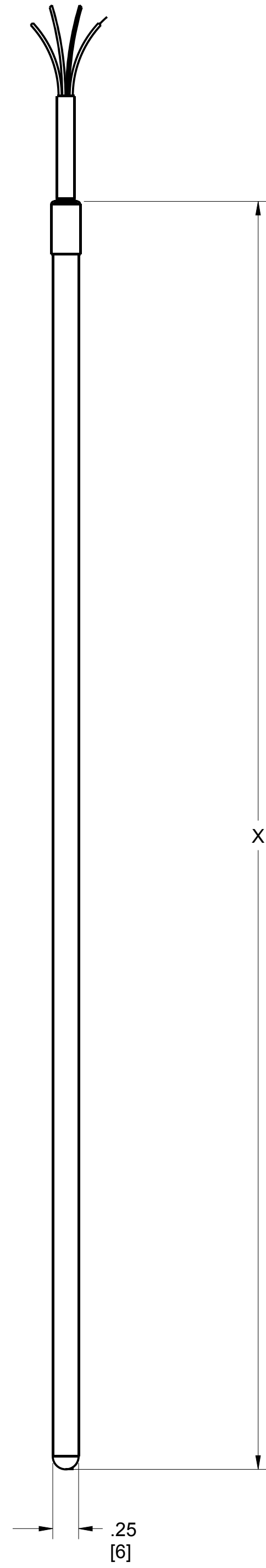


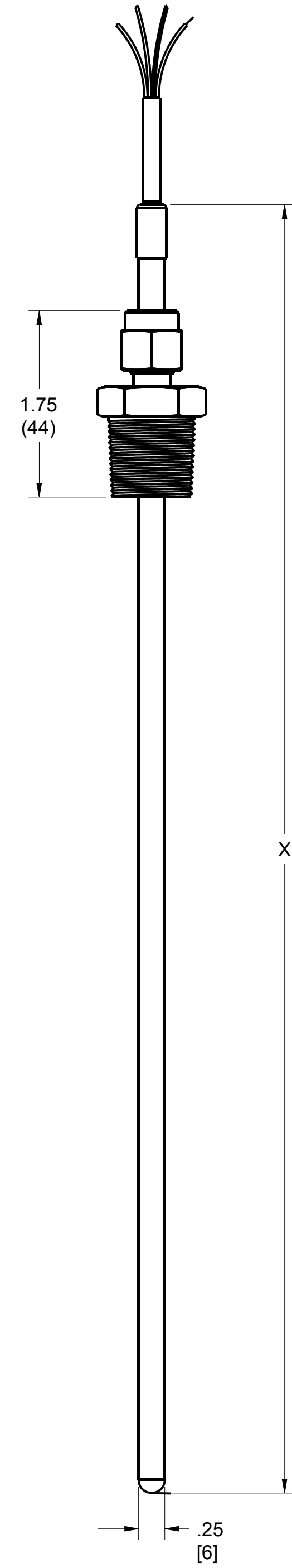
# ROSEMOUNT 58C CUT-TO-FIT PLATINUM RTD SENSOR

REVISION TABLE			
REVISION	ECO NO.	APP'D	DATE
AA	RTC1060511	JR	7/11/14
DESCRIPTION			
CREATE NEW			

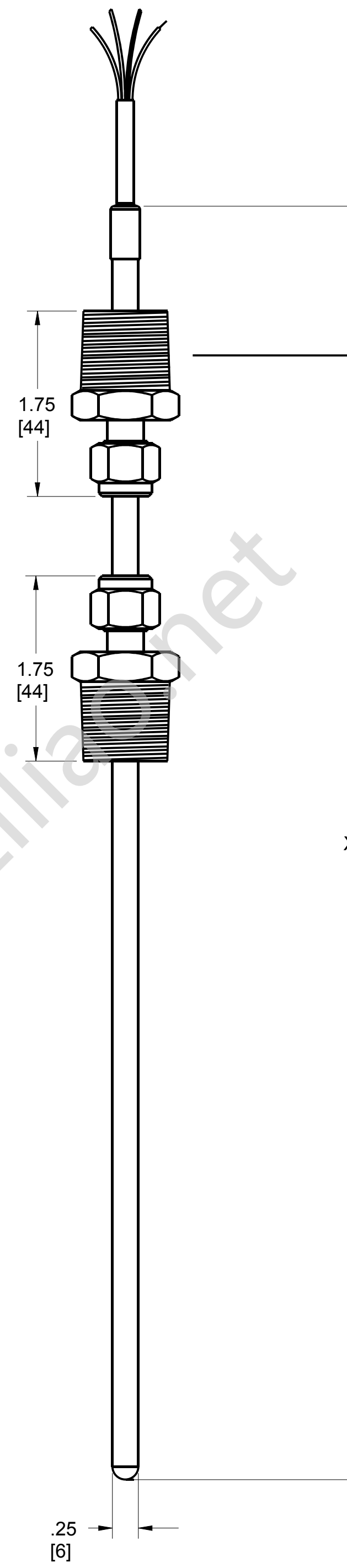
58C CAPSULE ONLY



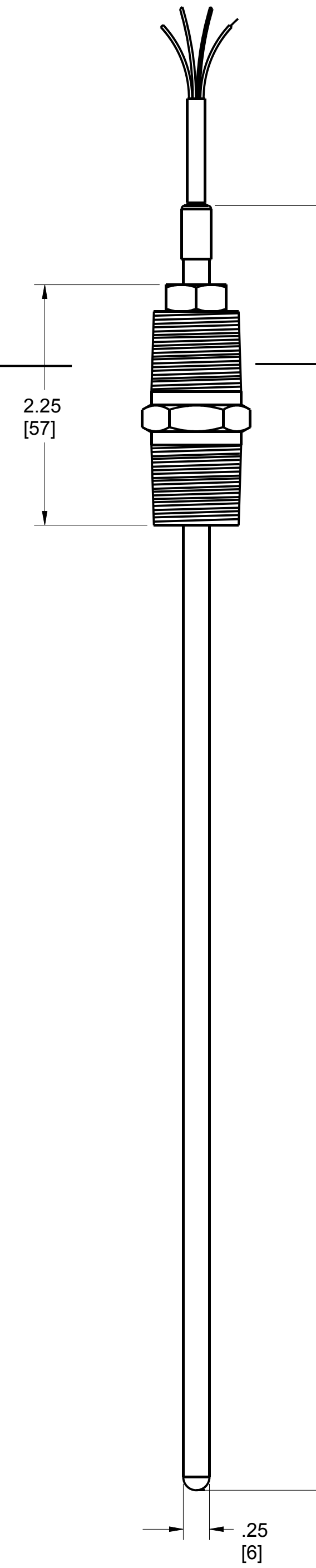
COMPRESSION FITTING 316 SST, 1/2-14 ANPT (OPTION CODE C01)



TWO COMPRESSION FITTINGS 316 SST, 1/2-14 ANPT (OPTION CODE C02)



58C CAPSULE WITH SPRING LOADED FITTING 303 SST, 1/2-14 NPT (CODE SNN)



BASELINE AA (SEE SHEET 2)

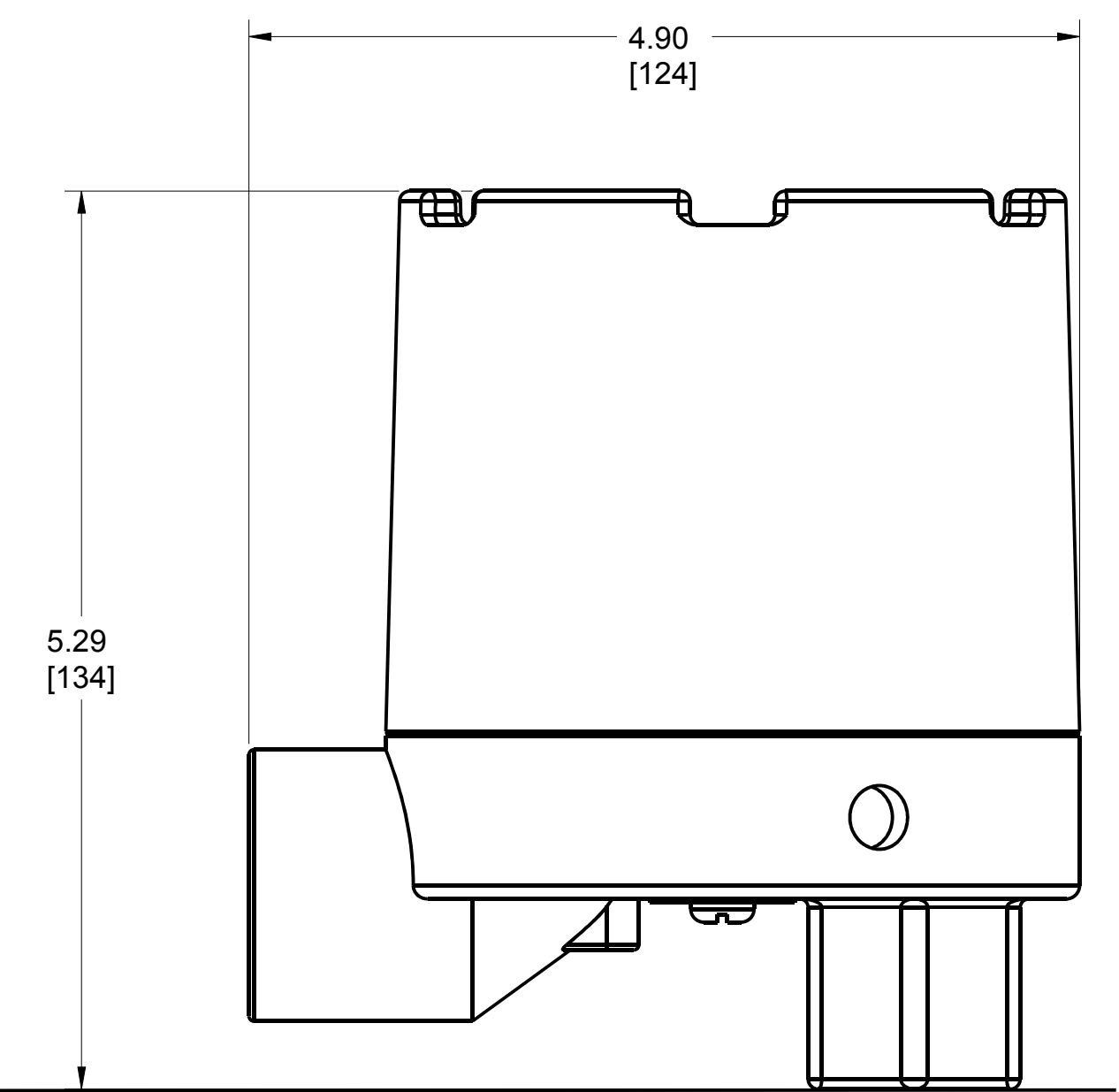
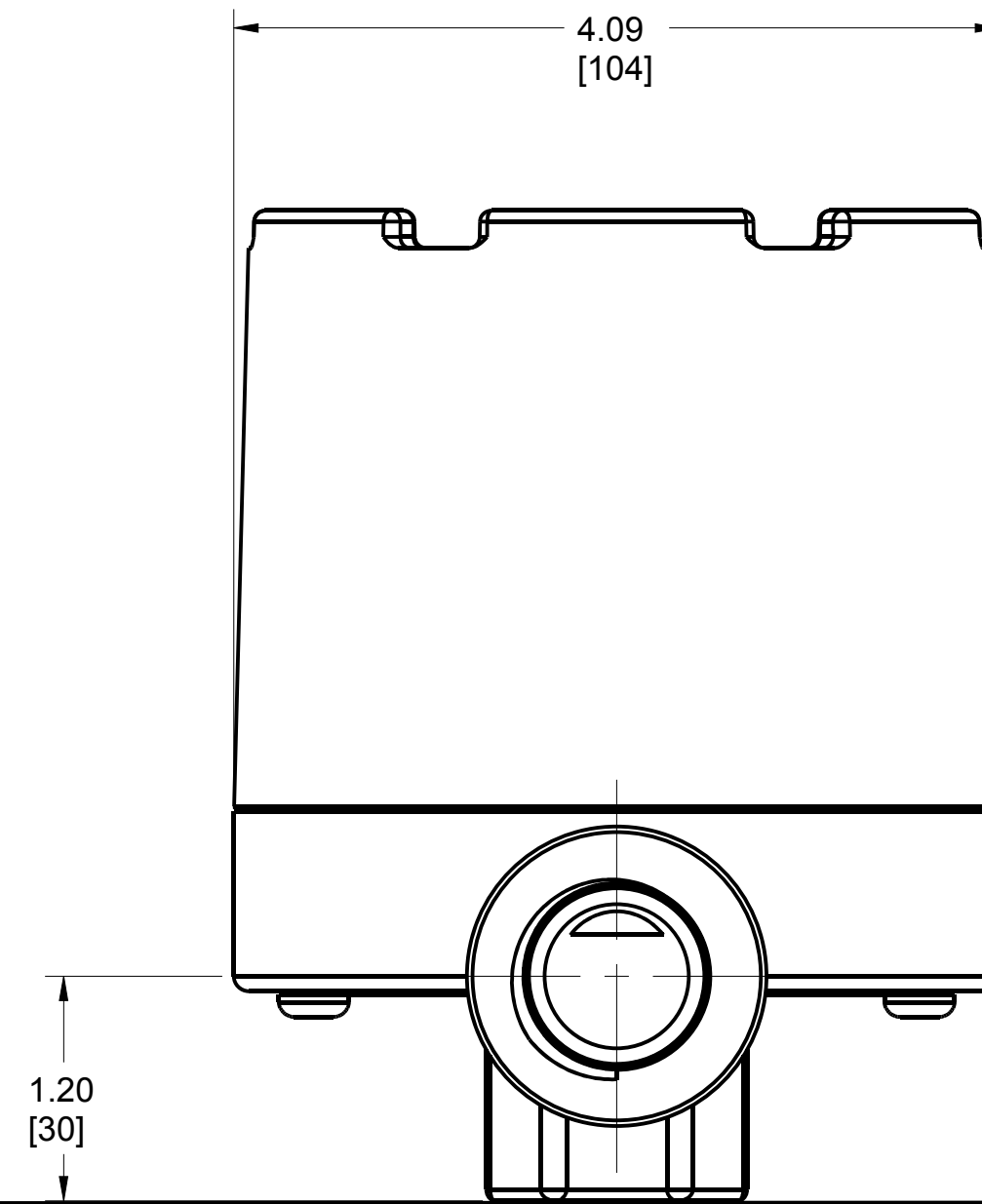
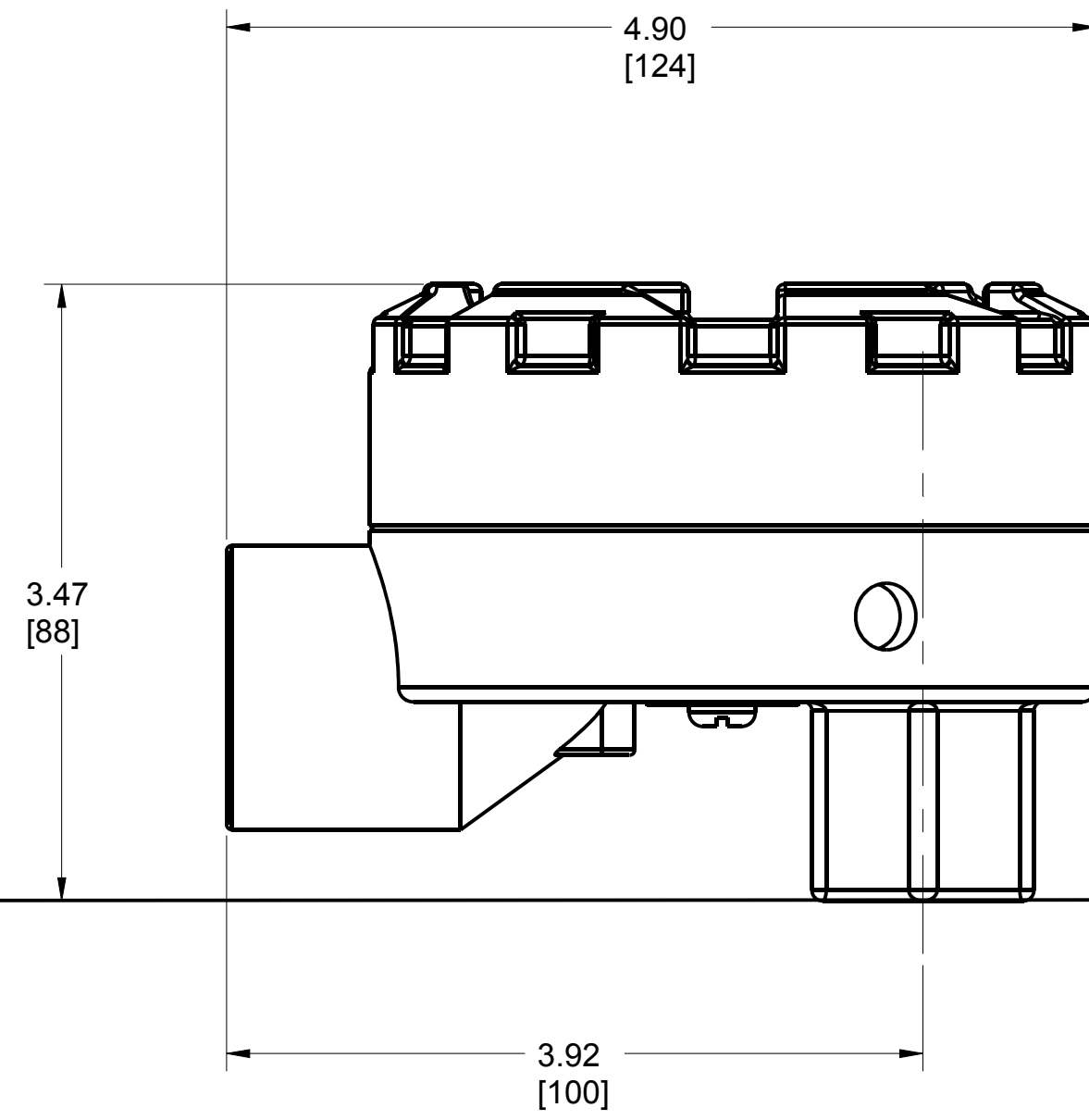
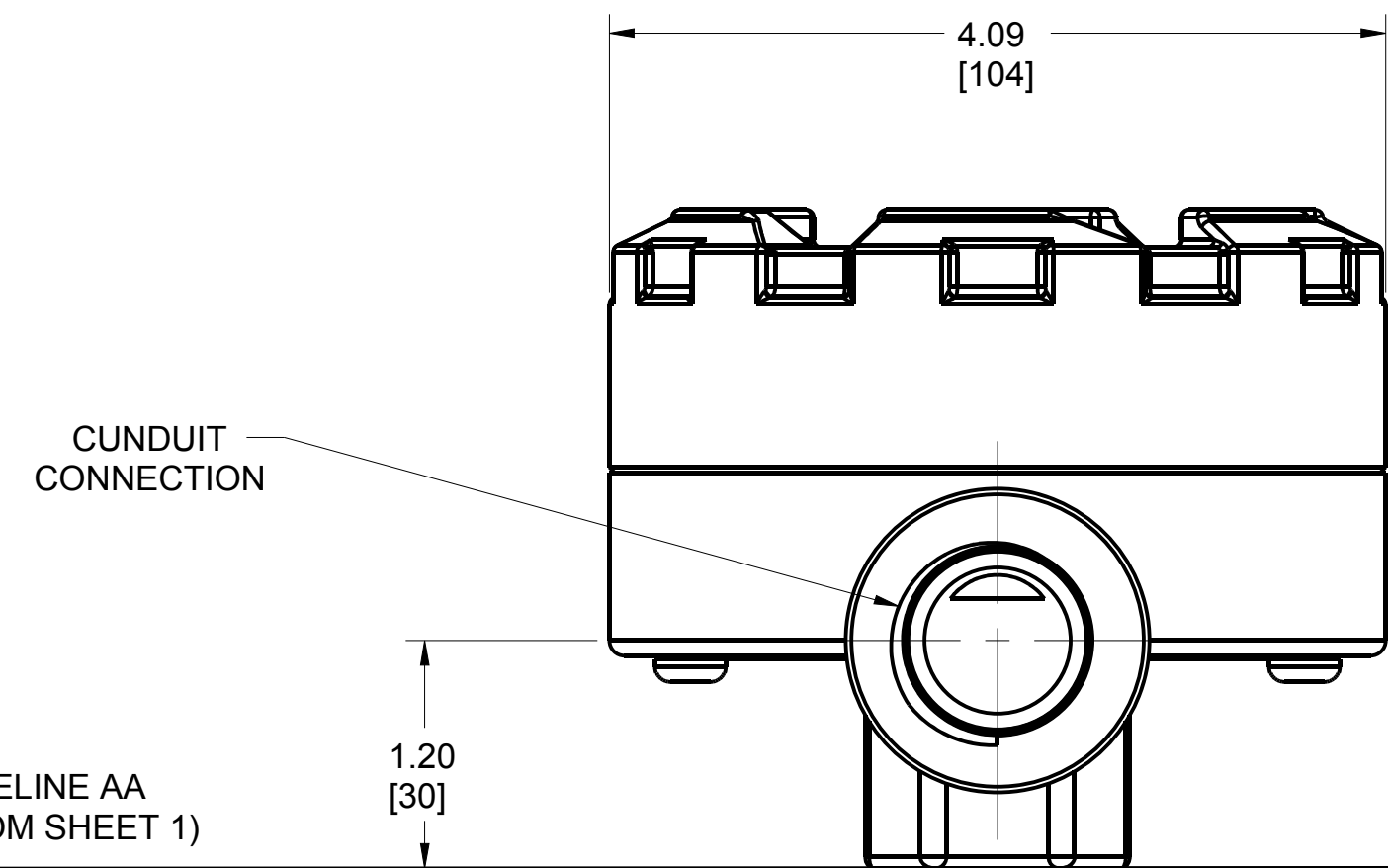
X LENGTH= 12",24",36" OR 48"

<small>UNLESS OTHERWISE SPECIFIED DIMENSIONS AND TOLERANCES FOR ALL DIMENSIONS ARE IN INCHES AND MUST BE HANDLED ACCORDINGLY. EMERSON</small>	CUSTOMER	***	3RD ANGLE	SIZE	SCALE	REV
	CUSTOMER DWG NO.	***	D	1/1	AA	
	P.O. No.	***				
	S.O. No.	***				
PROJECT NAME	DR. JLA	7/11/14	DRAWING NO. 00058-7000			
	APPD JR	7/11/14	DRAWING NO. 00058-7000			
DO NOT SCALE PRINT	CAD MAINTAINED, (PRO/E)	PRODUCT CODE	DOC TYPE	SHEET 1 OF 2		

DRAWING NO. 00058-7000 TAG NO. GAL

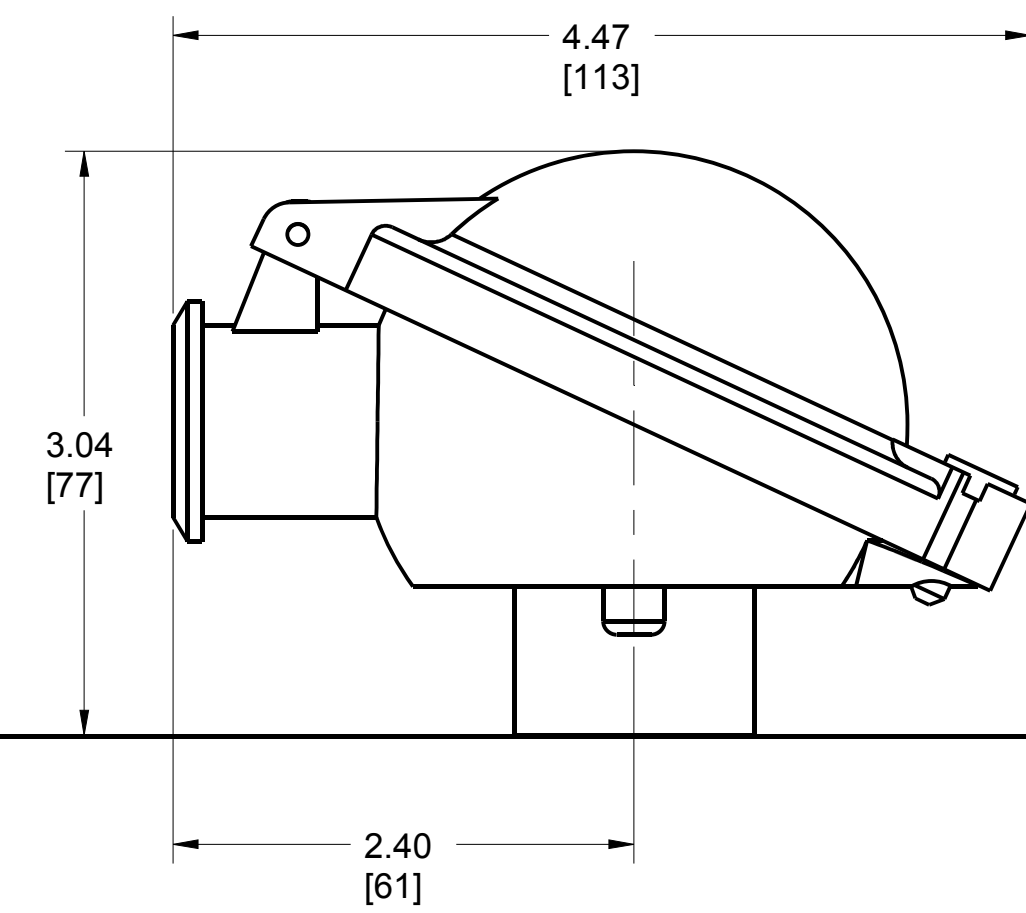
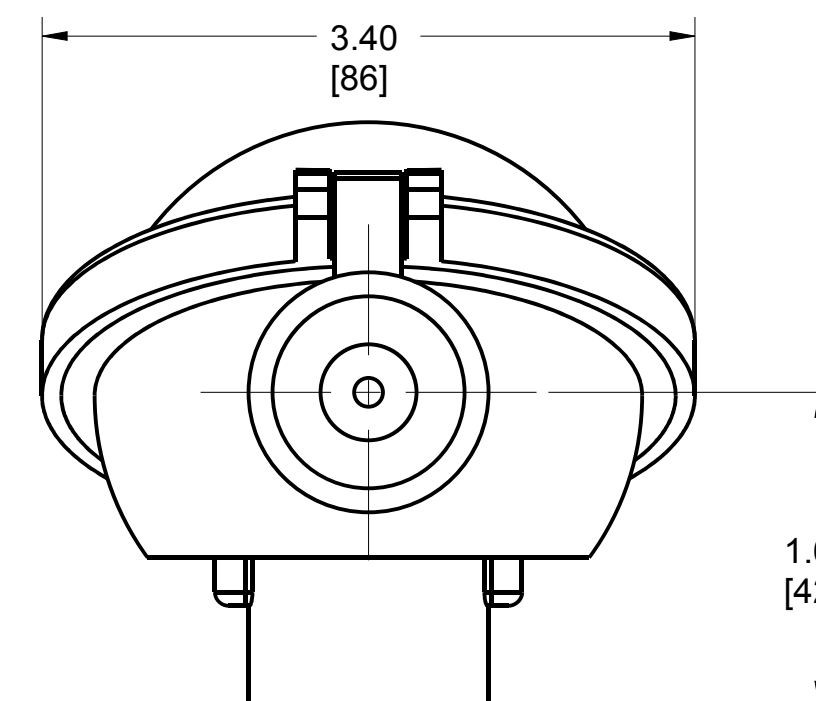
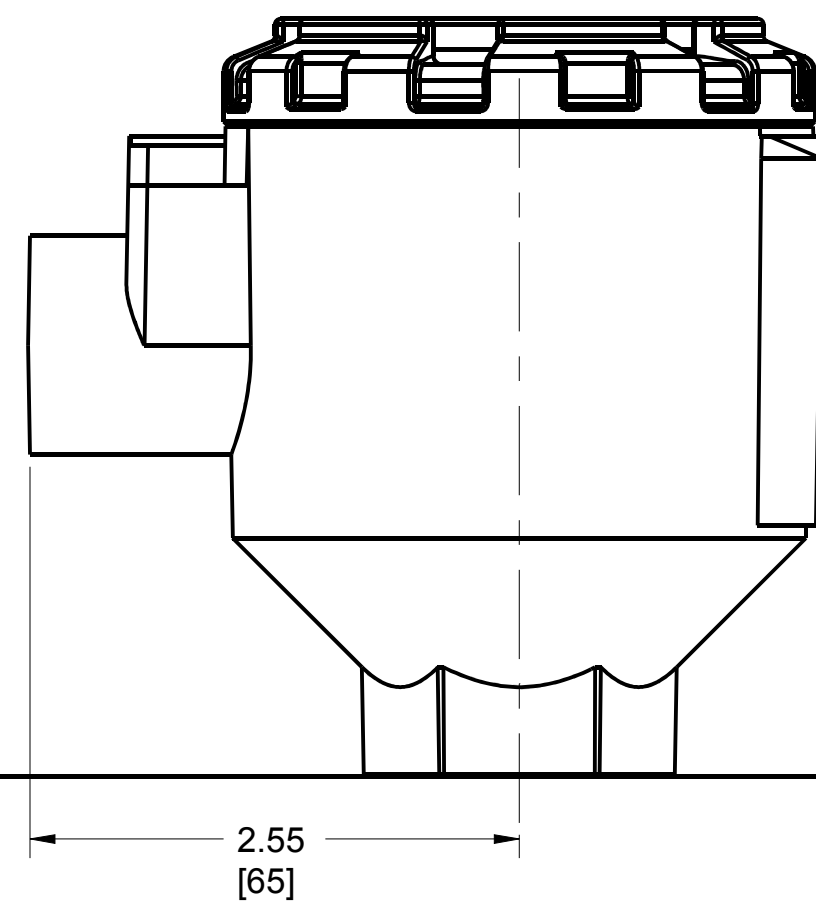
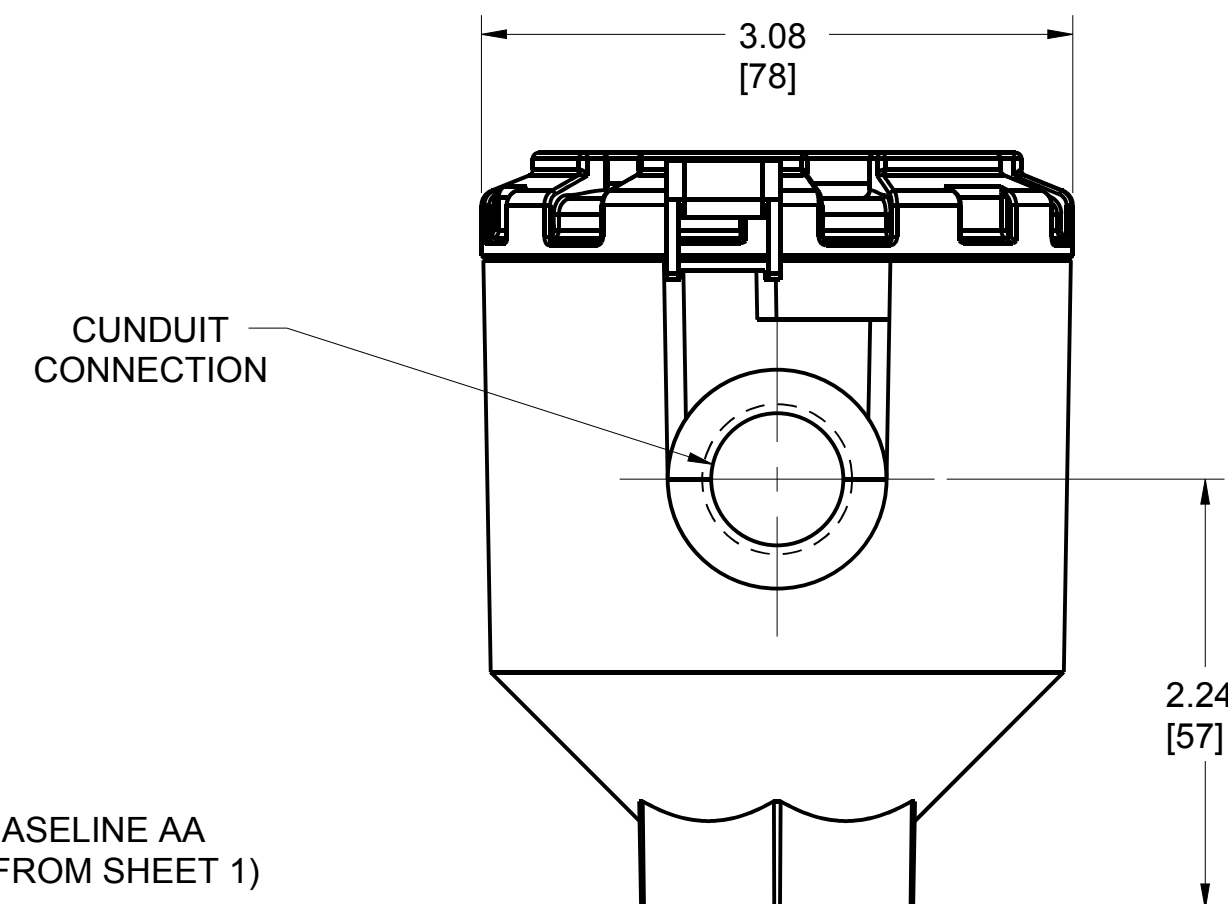
ALUMINUM CONNECTION HEAD

ALUMINUM CONNECTION HEAD WITH EXTENDED COVER



ROSEMOUNT ALUMINUM OR SST

POLYPROPELENE CONNECTION HEAD



BASELINE AA (FROM SHEET 1)

CUNDUIT CONNECTION

CUNDUIT CONNECTION

BASELINE AA (FROM SHEET 1)

BASELINE AA (FROM SHEET 1)

CUNDUIT CONNECTION

<small>UNLESS OTHERWISE SPECIFIED DIMENSIONS AND TOLERANCES CONTAINED HEREIN ARE IN INCHES AND DECIMALS AND MUST BE HANDLED ACCORDINGLY. EMERSON</small>	CUSTOMER	***	3RD ANGLE		SIZE	SCALE	REV
	CUSTOMER DWG NO.	***			D	1/2	AA
	P.O. No.	***					
	S.O. No.	***					
PROJECT NAME	***	DR.	JLA	7/11/14	DRAWING NO.		
	***	APPD	JR	7/11/14	00058-7000		
DO NOT SCALE PRINT		CAD MAINTAINED, (PRO/E)		PRODUCT CODE	DOC TYPE		SHEET 2 OF 2

DRAWING NO. 00058-7000 TAG NO. CAL.